

TURBINATOR MAXI

FOAM PROPORTIONER



TECHNICAL DATA

Product Type	Model 6502 MAXI
Foam Dosing Rate	1% - 3%
Water inlet - outlet connection	8 Inch ANSI #150 flange
Foam inlet connection	2 1/2 inch BSP or 3" ANSI 150#
Operating pressure	Max. 12 barg
Operating temperature	+2°C to +50°C (+36°F to +122°F)
Maximum rated flow	12000 litre/min (3170 gal (US) /min)
Minimum rated flow	1500 litre/min (396.26 gal (US) /min)
Mass	400 kg (882 lb)
Housing colour	RAL 1018
Transport size	1120 x 650 x 840 mm (44 x 25.6 x 33.1 in)

Notes:

Protect the equipment by a sunshade if the ambient air temperature is expected to exceed +40°C (+104°F).

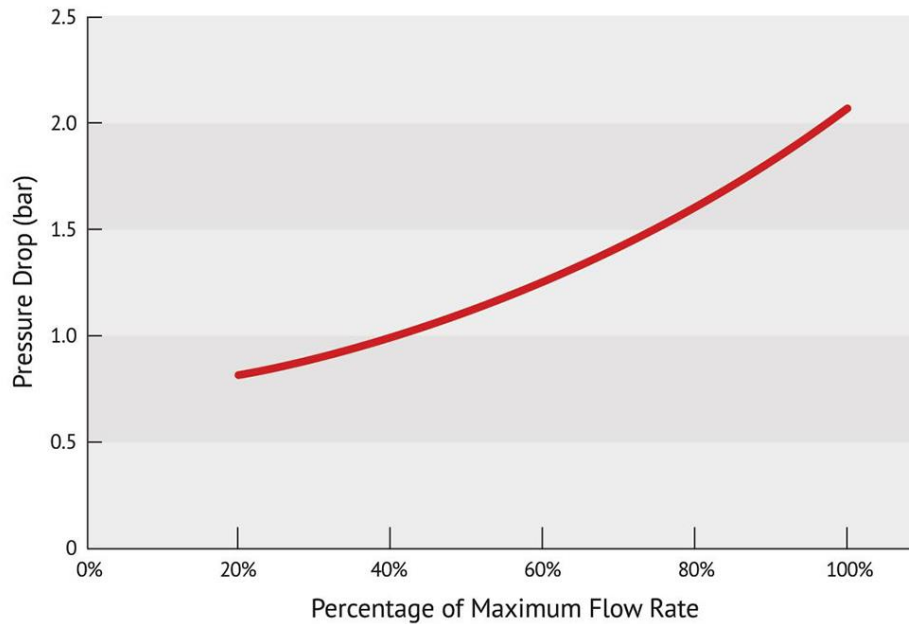
If ambient temperature is below operating temperature:

- Keep the temperature of Turbinator above the minimum operating temperature; with for example a heat tracing system.
- No water must remain in Turbinator when it is not in operation.

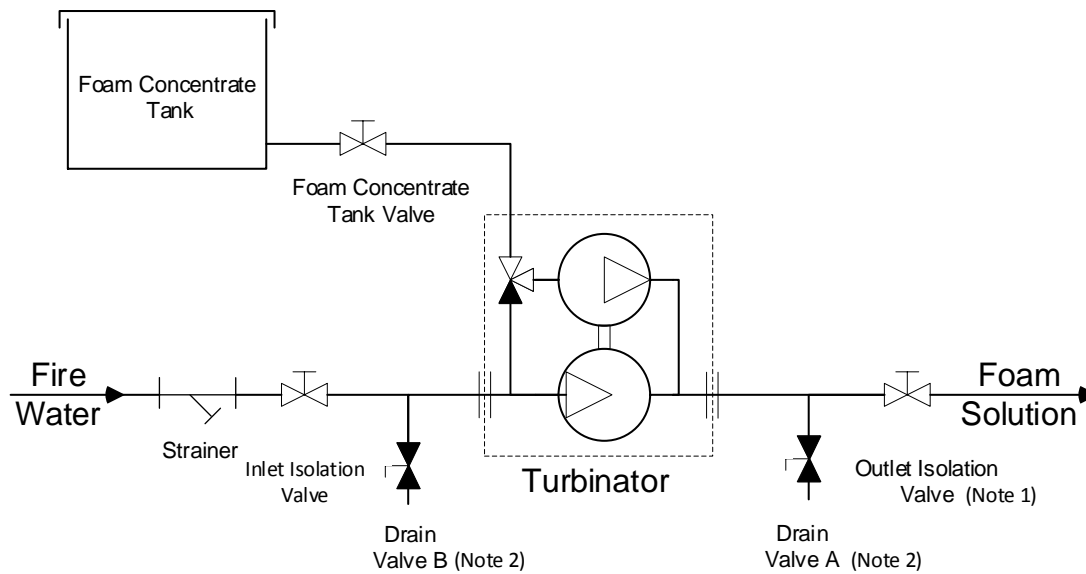
PRESSURE LOSS

The actual pressure loss may vary, depending on the operating conditions.

Turbinator Pressure Loss



TYPICAL P&ID



Note 1: Outlet Isolation Valve required if water can flow back to the system.

Note 2: The location of the drain valve depends on the installation direction. Use location A for a horizontal installed Turbinator. Use location A or B for vertical installed Turbinator, but always the lowest position.

PRODUCT DATA SHEET



WE KNOW FIRE
WE KNOW SAFETY
WE KNOW YOU

INLET STRAINER

Description

Maximum allowed particle size

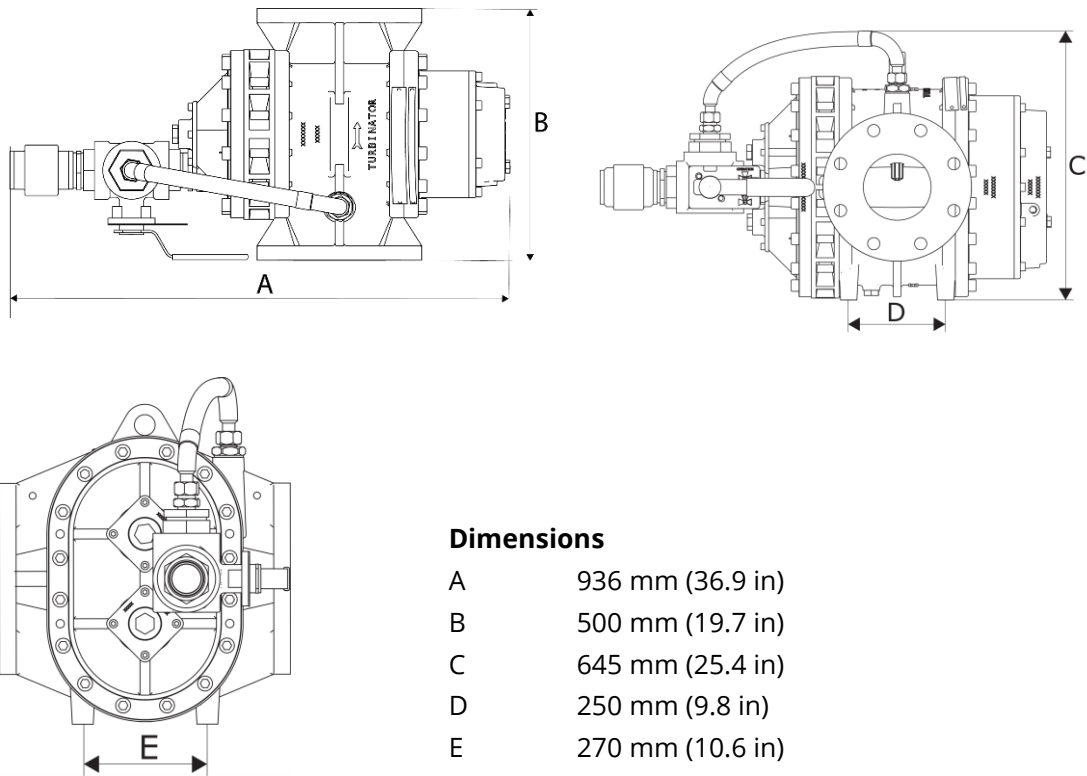
Specification

5 mm (0.2 in)

OVERFLOW

Turbinator is designed and tested to comply with FM overflow recommendations. For system design, restrict overflow conditions to 5 minutes at 120%.

UNIT DIMENSIONS





MATERIALS OF CONSTRUCTION

Part	Fresh water construction	Sea water construction
Body	Gunmetal BS 1400 LG2	Gunmetal BS 1400 LG2
Rotors	PU coated Stainless Steel 431	PU coated Duplex F55
Pump Gears	Acetal	Acetal
Timing Gears	EN24T	EN24T
Gear Housing	Gunmetal BS 1400 LG2	Gunmetal BS 1400 LG2
Mechanical Seals	Stainless steel / rubber	Hastelloy / rubber
Fasteners	Stainless steel 316	Stainless steel 316

EQUIPMENT RATING

Description

ATEX Directive 2014/34/EU

Specification

{ II 2G Ex h IIC T6 Gb (T5:Ta-X)}

Where (T5:Ta-X) indicates "Special Conditions"

KNOWSLEY SK

Centrepoint
Marshall Stevens Way
Trafford park
Manchester M17 1AE
United Kingdom

Tel: +44 (0) 161872 7511
F: +44 (0) 161872 7511
E: sales@knowsleysk.co.uk

KNOWSLEY SK MIDDLE EAST

Plot no.2, Sector M15
PO Box 6203
Mussafah
Abu Dhabi
United Arab Emirates

Tel: +971 255 38230
M: +971 502 529657
E: dmccormick@knowsleysk.co.uk